

### KEY FEATURES

- 2 way coaxial loudspeaker
- Built-in 100V transformer with 8 ohms option
- 3 individual power settings in 100V mode
- 90° dispersion angle
- White ABS back cover
- Easy to install
- Designed for public address ceiling applications

### TECHNICAL SPECIFICATIONS

Type	2 way coaxial loudspeaker
Nominal diameter	125 mm. 5 in.
Rated impedance	8 ohms.
Power capacity	30 w RMS (8 ohms.) 1.5 / 3 / 6 w (100 v)
Sensitivity	89 dB, 1 w @ 1 m
Frequency range	55-20000 Hz
Dispersion angle	90°
Transformer line	100 v

### MOUNTING INFORMATION

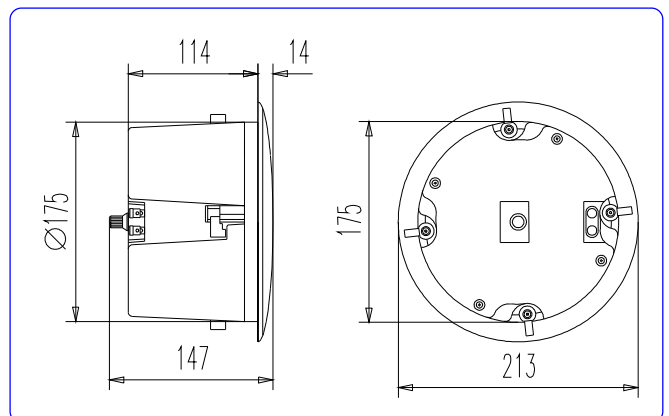
Overall diameter	213 mm. 8.40 in.
Mounting diameter	175 mm. 6.88 in.
Depth	147 mm. 5.78 in.
Net weight	1.5 kg. 3.3 lb.

### MATERIALS

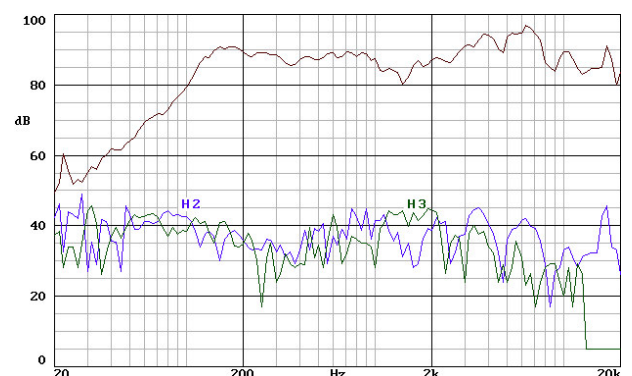
- **LF unit diaphragm:** propylene.
- **HF unit diaphragm:** polycarbonate.
- **Grid:** metal.
- **Back cover:** ABS.



### DIMENSION DRAWINGS



### FREQUENCY RESPONSE AND DISTORTION CURVES



Note: on axis frequency response measured with loudspeaker standing on infinite baffle in anechoic chamber, 1w @ 1m.